

Doc. Id 566307

ACCEPTED FOR REGISTRATION

January 28, 2020

New York State Department of Environmental Conservation
Division of Solid & Hazardous Materials
Pesticide Product Registration

LIVE LIFE OUTDOORS!

THIS PACKAGE CONTAINS



2 Perimeter System Mosquito Repellers



4 Thermacell 4 Hour Mosquito Repellent Mats

DUAL MOUNTING



2 Breakaway Post Mounts



2 Ground Stakes

4 Pole Sections (Adjustable pole length, 9 in. or 18 in.)

- ▶ No Smoke
- ▶ No Open Flame
- ▶ No Mess
- ▶ Impact Resistant

100% SATISFACTION GUARANTEED

EASY TO INSTALL



PLACE EVERY 15 FEET



HOW IT WORKS:

- Fuel provides heat
- Heat activates mosquito repellent
- Mosquito repellent forms a protection zone

REFILLS Stay protected with refills



THERMACELL PERIMETER SYSTEM



POST MOUNT

GROUND STAKE

THERMACELL MOSQUITO REPELLENT

UP TO 450 SQ FT PROTECTION

NO SPRAY

SCENT FREE

100% SATISFACTION GUARANTEED*



2 REPELLER PERIMETER SYSTEM

KEEP OUT OF REACH OF CHILDREN CAUTION

See bottom panel and insert for additional First Aid and Precautions. Contains: 2 Perimeter System Mosquito Repellers, 2 Thermacell Mosquito Repellent Mats, 2 Thermacell Fuel Cartridges. Net Wt. 4.1 oz (11.3 g) each Total Net Wt. 8.2 oz (23 g)

DIRECTIONS FOR USE: It is a violation of Federal law to use this product in a manner inconsistent with its labeling. See leaflet inside box for usage directions. Do not contaminate water, food or feed by storage or disposal. Pesticide Storage: Store unused mats in original box in a cool, dry place inaccessible to children and pets. Store mosquito repellent and fuel cartridges in original box in a cool, dry place away from sources of heat. Pesticide Disposal and Container Handling: Non-refillable container; do not refill or reuse this container. If cartridge is empty or for used mats: Do not reuse empty packaging, wrappers or cartridges. Do not puncture or incinerate empty cartridges. Place in trash or offer for recycling, if available. If cartridge is partly filled or for unused mats: Call your local solid waste agency for disposal instructions. Never place unused mats down any indoor or outdoor drain. For unwanted mosquito repellent: Place in trash or offer for recycling if available.

PRECAUTIONARY STATEMENTS: Hazards to Humans & Domestic Animals: CAUTION: Contains petroleum distillate. Harmful if swallowed or absorbed through skin. Causes moderate eye irritation. Avoid contact with skin, eyes or clothing. Wash hands thoroughly with soap and water after handling and before eating, drinking, chewing gum, using tobacco or using the toilet. Remove and wash contaminated clothing before reuse. FIRST AID: If Swallowed: Call a poison control center or doctor immediately for treatment advice. Do not induce vomiting unless told to do so by a poison control center or doctor. Do not give any liquid to the person. Do not give anything by mouth to an unconscious person. If On Skin or Clothing: Take off contaminated clothing. Rinse skin immediately with plenty of water for 15-20 minutes. Call a poison control center or doctor for treatment advice. If In Eyes: Hold eye open and rinse slowly and gently with water for 15-20 minutes. Remove contact lenses, if present, after the first 5 minutes, then continue rinsing eyes. Call a poison control center or doctor for treatment advice. Have the product container or label with you when calling a poison control center or doctor, or going for treatment. For additional information on this pesticide product (including health concerns, medical emergencies or pesticide incidents), you may call 1-866-753-3837. Monitor through Friday, 8:30 AM to 4:30 PM EST. After 4:30 PM, call your poison control center. Note to Physician: Contains petroleum distillate. Vomiting may cause aspiration pneumonia.

PHYSICAL AND CHEMICAL HAZARDS: Fuel Cartridge Hazard: Extremely flammable. Contents under pressure. Vapors may cause flash fire. Use only in a well-ventilated area. Do not use, store, or dispose near heat, sparks, flames or other ignition sources. Do not puncture or incinerate. Containers exposed to direct sunlight or otherwise heated above 120°F (49°C) may burst, causing injury. Store in cool, dry, well-ventilated area. Inhaling the contents may be harmful or fatal. Intentional misuse by deliberately concentrating and inhaling the contents may be harmful or fatal. If vapors are inhaled, remove person to fresh air. ENVIRONMENTAL HAZARDS: This product is toxic to fish and aquatic invertebrates. Do not apply directly to water. Do not contaminate water when cleaning equipment or disposing of equipment washwater or rinsate. Drift may be hazardous to aquatic organisms in water adjacent to treated areas.

WARRANTY, LIMITATION OF LIABILITY, AND DISCLAIMERS: Thermacell warrants that this product, when used in accordance with this label and all other instructions accompanying this product, complies with the product specifications set forth in this label. Except as otherwise provided by applicable law, Thermacell makes no other warranties, and disclaims all other warranties, express or implied, including but not limited to warranties of merchantability and fitness for a particular purpose. Except as otherwise provided by applicable law, Thermacell's liability for default, breach or failure of the product to perform in accordance with the product specifications set forth in this label shall be limited to the amount of the purchase price. Except as otherwise provided by applicable law, Thermacell shall have no liability for incidental or consequential damages. *SATISFACTION: At Thermacell, we stand behind our products and their performance. If you are not completely satisfied with your Thermacell purchase, you may return it to us for repair, replacement or refund. We will repair or replace product up to 3 year from date of purchase. For refunds, requests must be received within 90 days from date of purchase with the original store receipt. Any product received later than 90 days from the date of purchase will be repaired or replaced by Thermacell at the company's option. Please call customer service at 866-753-3837 for a return authorization number. Ship only the Thermacell device (no repellent mats, no fuel cartridge) back to us.

Thermacell® is a Registered Trademark of Thermacell Repellents, Inc. Manufactured for: ©Thermacell Repellents, Inc. 26 Crosby Drive, Bedford, MA 01730 Toll Free: 1-866-753-3837 Email: Service@Thermacell.com

Made in Thailand. EPA Reg. No. 71919-2 EPA Est. No. 71998-THA-1

Protected by US and/or international patents and pending patents.

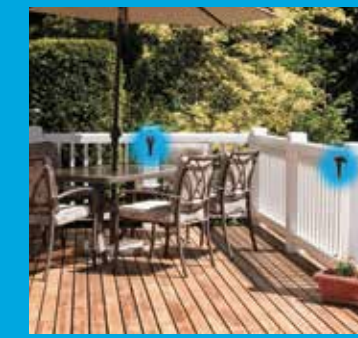


QUESTIONS?

1-866-753-3837
service@thermacell.com

CUSTOMIZE YOUR ZONE

PROTECTS:



DECKS



PATIOS



DOORWAYS



POST MOUNT



GROUND STAKE

REPELS MOSQUITOES WITHOUT SPRAY

TR18MP2-01

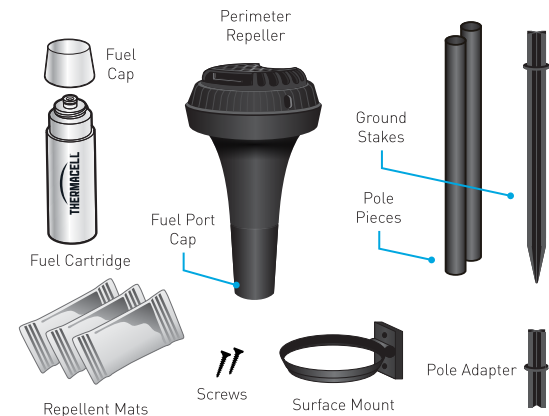
Welcome to Thermacell

Get ready to experience a new remarkable way to repel mosquitoes. Thermacell products create a zone of protection from mosquitoes, without the use of sprays or other topical products, candles or torches.



In the Box

- Thermacell Perimeter System Mosquito repellents
- Thermacell 12 hour fuel cartridges
- Thermacell 4 hour mosquito repellent mats
- Pole segments
- Ground stakes
- Surface mounts
- Screws



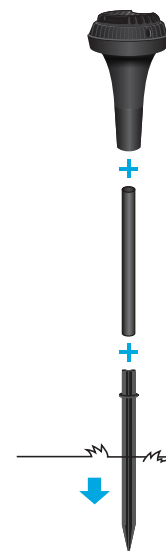
Directions for Use It is a violation of Federal law to use this product in a manner inconsistent with its labeling.

Dual Use: Landscape or Surface Mount

1A

Assemble pole.

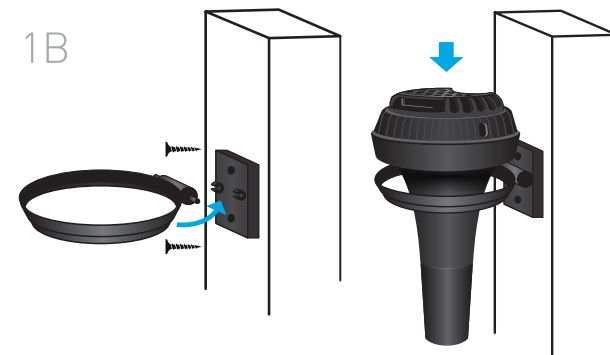
The pole can be used at multiple heights. To use the pole at full height, insert the pole adapter into one end of the pole segment making sure to fully insert until stop is reached. Connect the additional pole segment to the other half of the pole connector. Next insert the ground stake in either end. Place pole into the ground until the ground stake is at least 5 inches into the ground.



1B

Assemble surface mount.

Using provided screws, fasten mounting plate to desired location. Please note that the two screw holes should be aligned vertically. Snap circular ring into the mounting plate making sure that the wider portion of the ring is facing up. The surface mount can be flipped up when not in use.



2

Insert mosquito repellent mat.

Unwrap a Thermacell mosquito repellent mat and slide under the grill

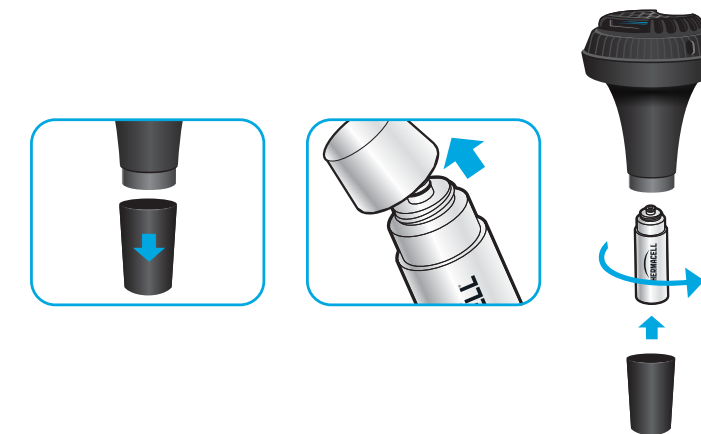
- Always center mats under the grill to fully cover the metal plate
- Thermacell Mosquito Repellent Mats last 4 hours each
- Mats change from blue to white when they need to be replaced
- To replace a mat, push the old mat out using a new mat



3

Insert fuel.

Remove the cap from a fuel cartridge and screw into fuel cartridge port. Fuel cartridges last up to 12 hours each.



4



Start.

Start the repeller by turning the ON/OFF switch to the ON position. Wait 5 seconds and then turn to the START position until you hear a click.

5



Check for orange glow.

Check through the view window for an orange glow. Twist to START again if you do not see an orange glow.

Insert onto pole or place in surface mount.

Allow up to 15 minutes for the full zone to be established

Useful Tips

For best results, place in center of the area you want to protect from mosquitoes.

Allow 15 minutes for the full zone to be established.

For optimal protection in larger areas, use multiple repellents spaced up to 15 feet apart.

Effectiveness can be impacted by wind and air movement. Place upwind on a windy day.

Do not expose open mats to rain.

When finished using the repeller, turn the ON/OFF switch to the OFF position.

Troubleshooting

Wind and other conditions may cause the orange glow to go out. Restart the repeller if orange glow is not visible through the view window.

If the repeller won't turn on, or stay on:

- Confirm that the fuel cartridge is not empty
- Ensure the fuel cartridge is fully threaded into the fuel port
- Listen for fuel flow to ensure fuel is properly running
- Turn the repeller to the START position, confirming you hear a click
- Repeat start instructions

If you are still bothered by mosquitoes after 15 minutes:

- Check that the device is lit by looking for a small orange glow inside the view window.
- Check that fuel remains in the cartridge.
- Replace used mosquito repellent mat with a new mat.
- Call or email customer service if you are still experiencing issues.

Questions?

We're here to help, 24/7

1-866-753-3837

service@thermacell.com

Thermacell Repellents, Inc.
26 Crosby Drive
Bedford, MA 01730

THERMACELL®

PERIMETER SYSTEM

User Guide

KEEP OUT OF REACH OF CHILDREN
CAUTION See package and insert for additional First Aid and Precautions

Active Ingredient:
d-cis/trans allethrin 21.97%
Other Ingredients 78.03%
Total 100.00%
Contains petroleum distillate